

# AgileMotion Range.

Agile Motion is our three-column standing desk solution, constructed with the same engineering detail and superior build quality you've come to expect from the Agile range of desking. Featuring whisper-quiet dual motors, an AS/NZS compliant height adjustment range and despite having a slightly smaller frame, a 140kg weight rating



AgileMotion+  
Single Sided Desk



AgileMotion+  
Double Sided Desk



AgileMotion+  
120° Single Sided Desk



AgileMotion+  
90° Single Sided Desk

## Features

Electric Double motor height range 680-1160mm.

Adjustment speed 30 mm/s

Concealed motors in each leg

Frames finished in white or black powdercoat

Commercial-grade 25 mm worktops constructed from EI board and finished in melamine with matching 2 mm PVC edging.

4 point memory control with LCD readout, programmable to restrict min/max height and to set anti-collision sensitivity.

Fast to assemble - rails come pre-fitted to the legs where possible

### Single Sided Desk

1200 x 750 mm	1600 x 800 mm
1500 x 750 mm	1800 x 750 mm
1500 x 800 mm	1800 x 800 mm
1600 x 750 mm	

### Double Sided Desk

2 x 1200 x 600 mm	2 x 1500 x 800 mm	2 x 1800 x 600 mm
2 x 1200 x 750 mm	2 x 1600 x 600 mm	2 x 1800 x 750 mm
2 x 1500 x 600 mm	2 x 1600 x 750 mm	2 x 1800 x 800 mm
2 x 1500 x 750 mm	2 x 1600 x 800 mm	

### Single 90°

1800 x 1800 X 600 mm
1800 x 1800 X 750 mm

### Single 120°

1200 x 1200 X 600 mm
1200 x 1200 X 750 mm



# AgileMotion Range.

## Optional Upgrades

50mm Studio screens

50mm Studio screens with intergrated cable duct

10, 20 & 30mm AcoustiQ screens

Cable trays - system includes desk to desk bridges, power/ data mounting points (inside the tray or on the vertical face) and cable snakes to the desktop



Double Motor Desk  
With integrated cable duct  
And AcoustiQ Screen



Double Motor Desk  
With integrated cable duct  
And AcoustiQ Screen

## Finishing Selection

### Stocked Options



Arctic White

New Oak Matte

New Oak Ravine

Nordic Maple

### Requested Options



Classic Natural

Sublime Teak

Natural Walnut

### Frame Options



Black

White

## Studio50

Screens are Australian made



## AcoustiQ

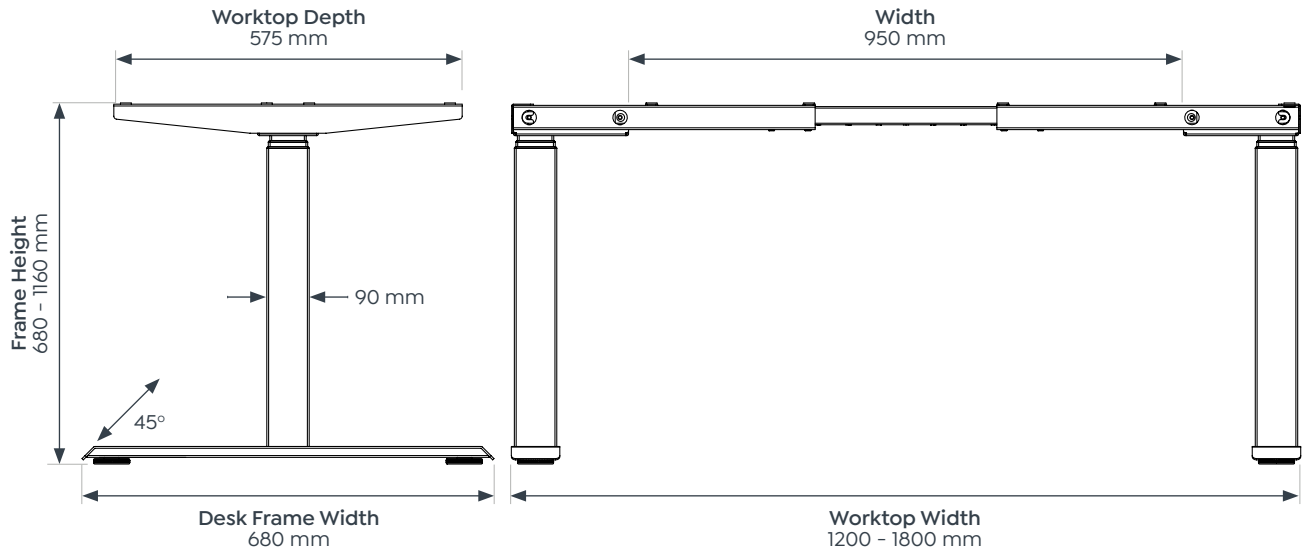
### Screen Colour Options



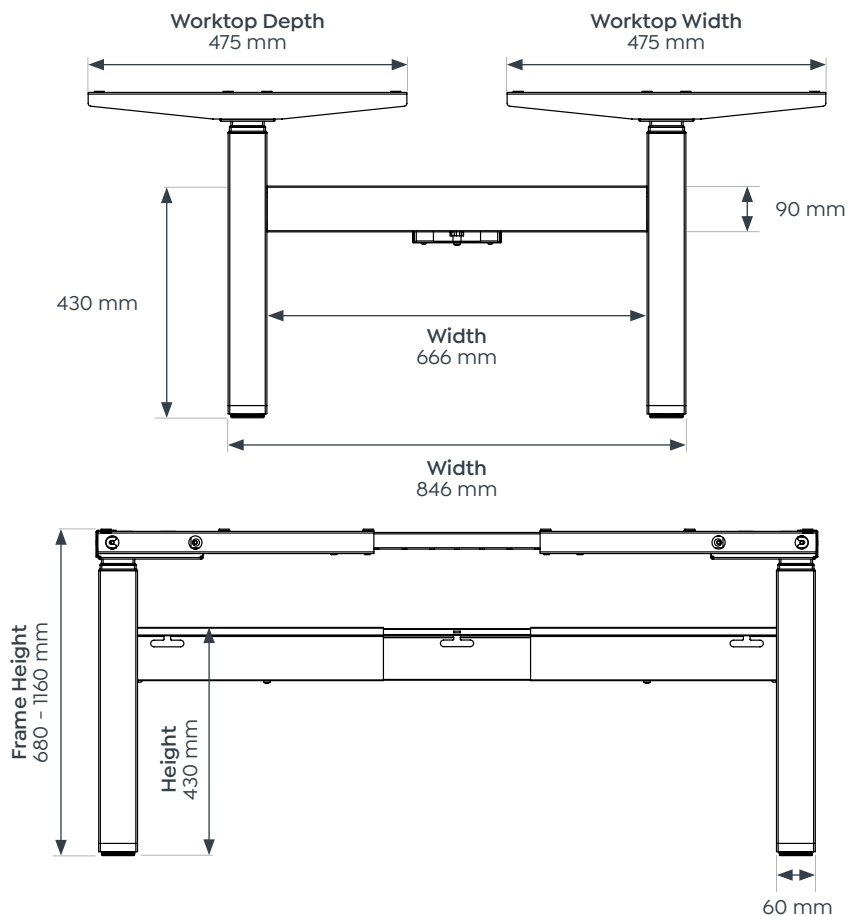
# AgileMotion Range.

## Dimensions

### AgileMotion Single Sided Desk



### AgileMotion Double Sided Desk



# Dimensions

## AgileMotion 90° - 120° Desk

